



# User Manual

[www.doughty-engineering.co.uk](http://www.doughty-engineering.co.uk)

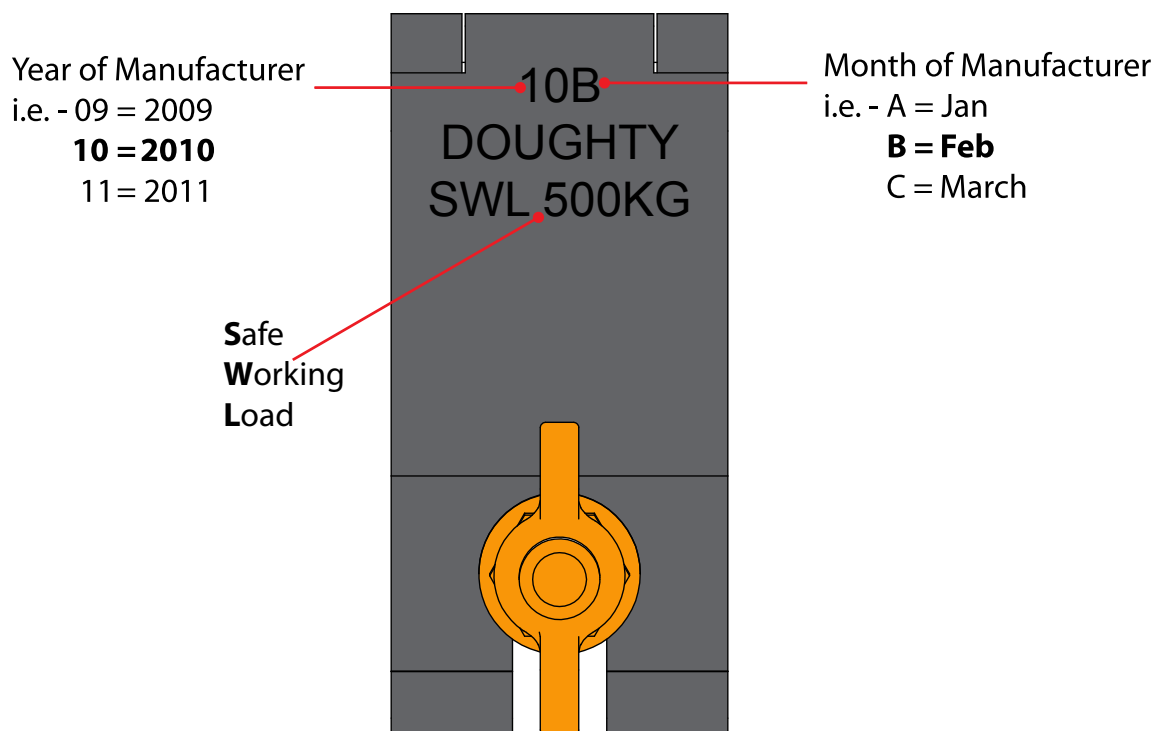
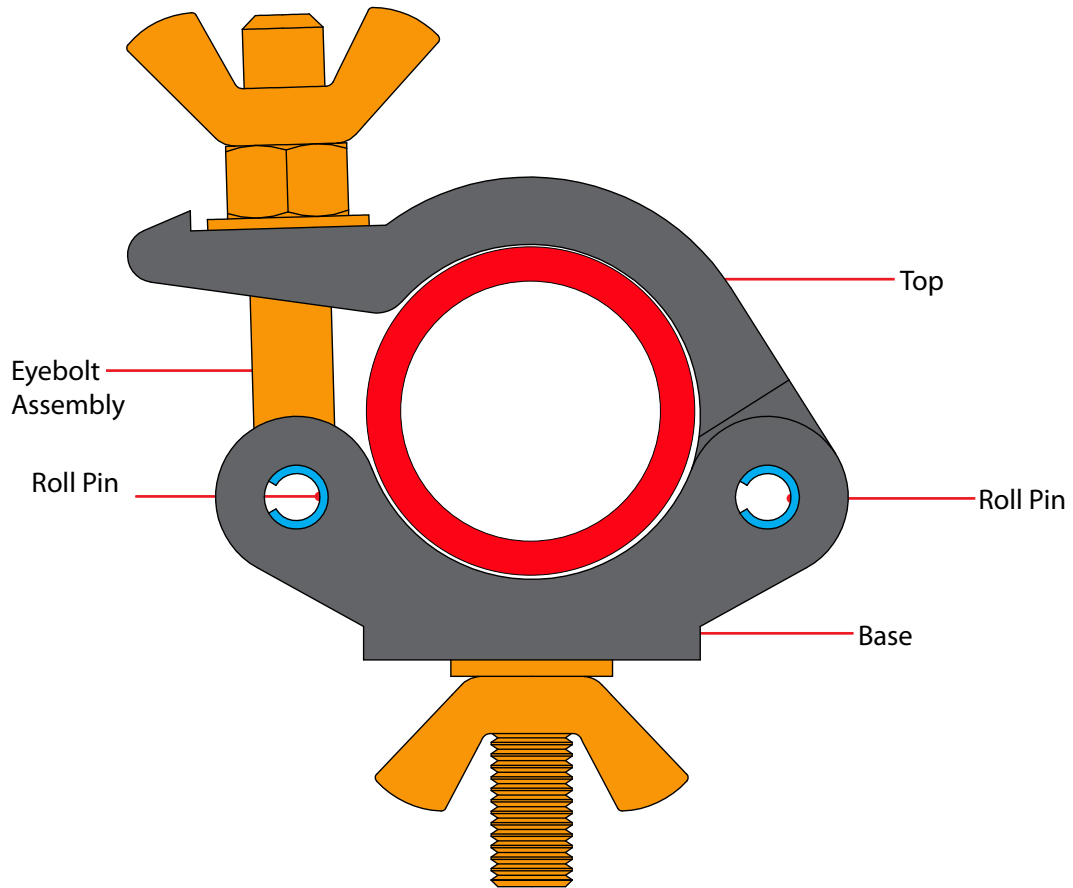
## T58600/01 Low Profile Hook Clamp



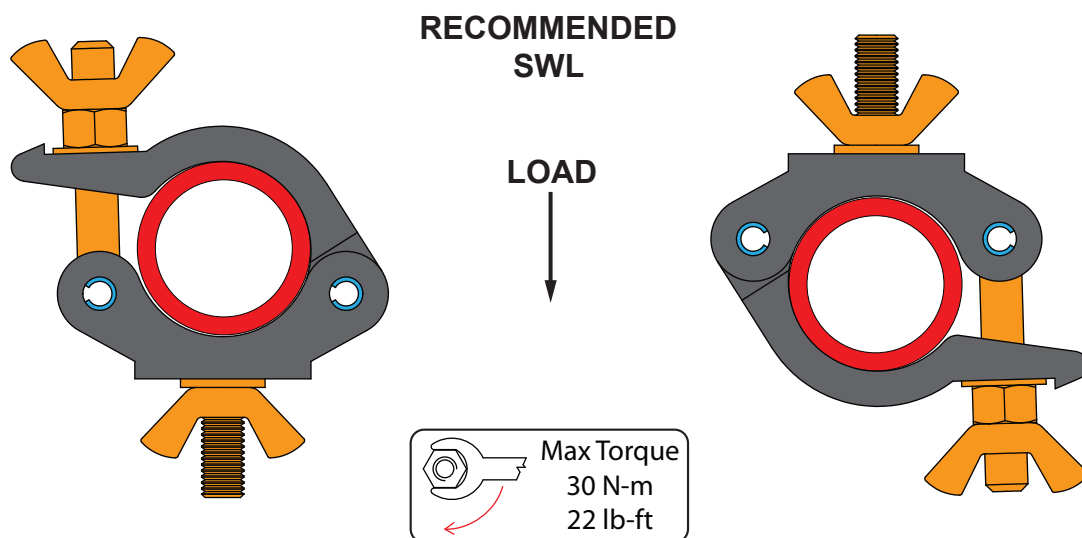
Version 01/11



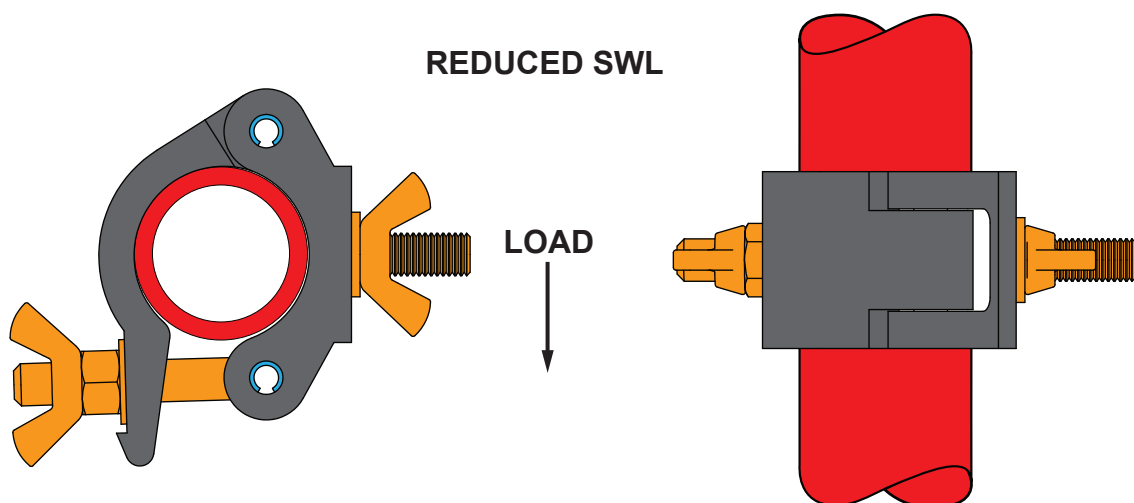
[www.doughty-engineering.co.uk](http://www.doughty-engineering.co.uk)





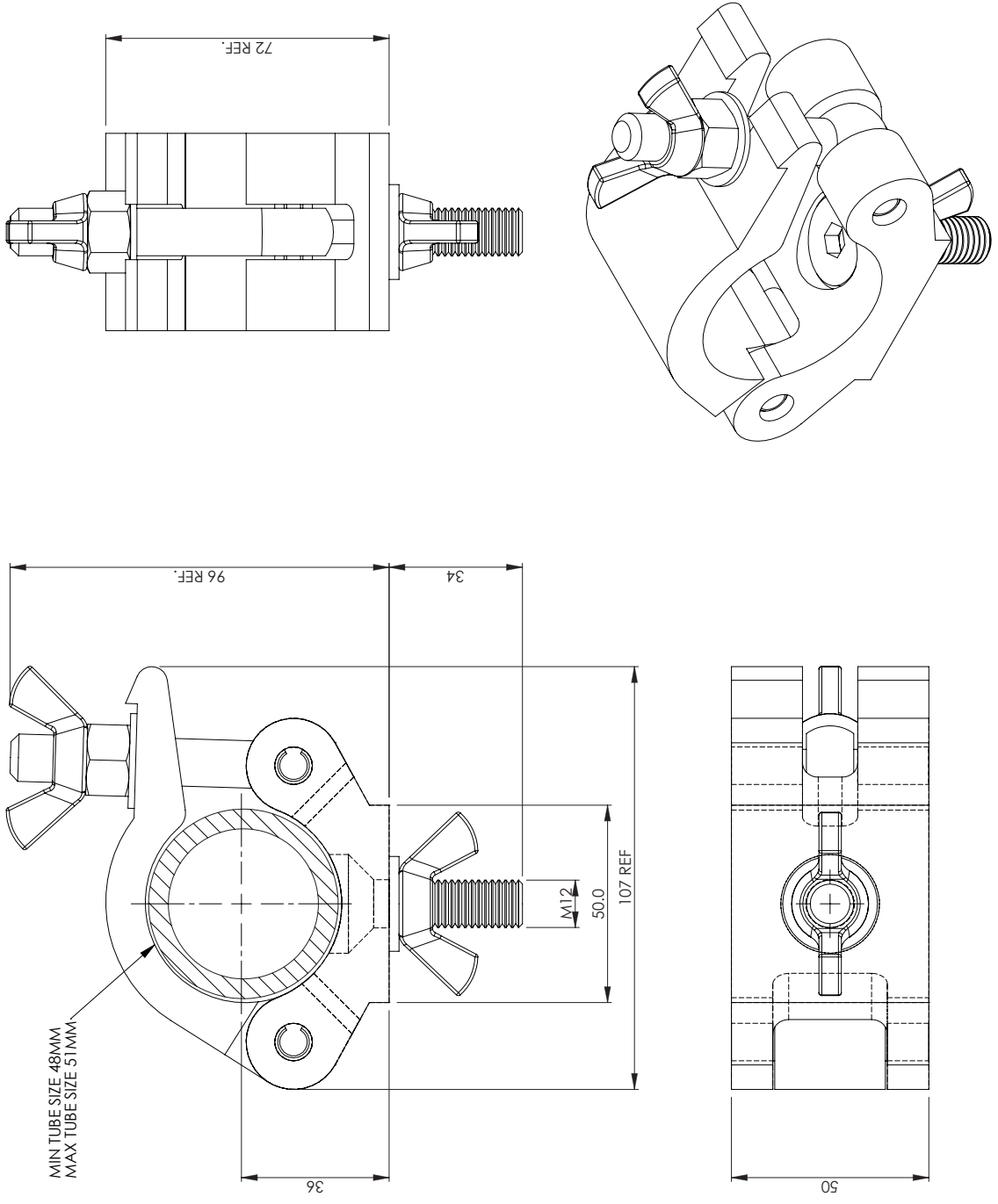
1. Never exceed the Safe Working Load (SWL) shown on the clamp.
2. Only use the clamp within the designed tube parameters (48-51mm)
3. All clamps should be visually inspected before use. In the event of any damage the clamp should be taken out of service and returned to an 'Approved Doughty Service Agent' for inspection. (see our dealer locator on our web site for a comprehensive list of Authorised Service Agents)
4. When used in conjunction with other accessories, care must be taken to ensure that the minimum SWL of any component is not exceeded.
5. Doughty Engineering Ltd does not recommend using any clamps which do not fully encompass the tube for overhanging. All open clamps including hookclamps should be used in a vertical orientation only.

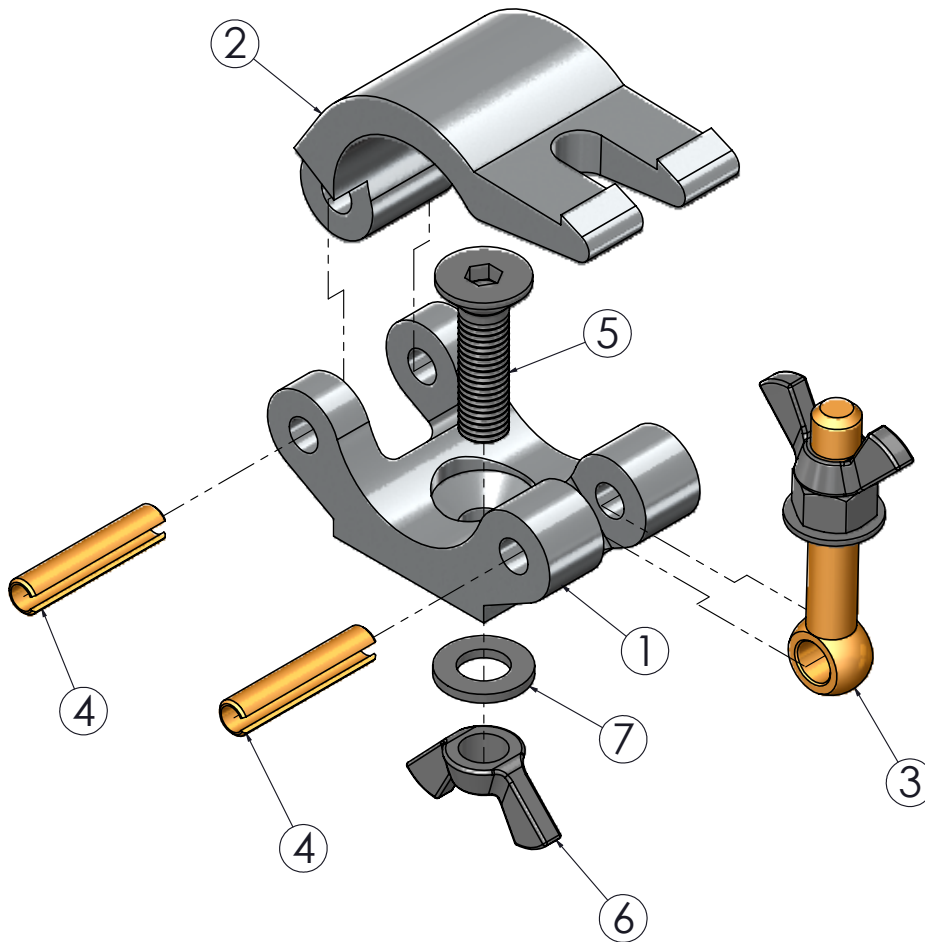


THE FOLLOWING APPLICATIONS WILL RESULT IN THE RECOMMENDED SWL BEING REDUCED DEPENDANT ON THE TUBE SURFACE FINISH & TORQUE SETTINGS APPLIED. PROOF LOADING ON INSTALLATIONS IS RECOMMENDED.



 DOUGHTY ENGINEERING LTD	<h2>DATA SHEET</h2>
TITLE: DOUGHTY LP HOOK CLAMP	PART NOS: T58600 - POLISHED T58601 - BLACK
MATERIAL : ALUMINIUM	WEIGHT: 0.57 KG
SWL: 500 KG	FINISH: T58600 - POLISHED T58601 - POWDER PAINTED BLACK
NOTES:  MIN TUBE SIZE - 48MM MAX TUBE SIZE - 51MM	<h3>STRICTLY FOR REFERENCE PURPOSES ONLY</h3>
 THIRD ANGLE PROJECTION	





DOUGHTY PRODUCTS MUST ONLY BE SERVICED / REPAIRED BY  
AN AUTHORISED SERVICE AGENT.  
SPARE PARTS ARE ONLY AVAILABLE TO THESE AGENTS

ITEM NO.	PART NUMBER	DESCRIPTION	Spares/QTY.
1	TH577	MACHINED DOUGHTY WELD COUPLER BASE	1
2	TH157	MACHINED DOUGHTY CLAMP TOP	1
3	T78000	M12 X 70 EYEBOLT	1
4	F790	0.375" X 1.75" STAINLESS STEEL ROLL PIN	2
5	F2539	M12 x 45 CSK SKT 10.9 (bzp)	1
6	F883	M12 WING NUT	1
7	F894	M12 FLT A WASHER	1

## T58600 - DOUGHTY LP WELD COUPLER



DRAWN AW

DATE 13/01/2011

NOT TO SCALE

Rev 1



**Doughty Engineering Limited**

CROW ARCH LANE, RINGWOOD, HANTS, BH24 1NZ. ENGLAND  
Telephone: +44 (0) 1425 478961 Fax: +44 (0) 1425 474481  
www.doughty-engineering.co.uk  
email:sales@doughty-engineering.co.uk

**EC DECLARATION OF CONFORMITY**

Doughty Engineering Limited hereby certify that the equipment stated below has been designed to comply with all relevant sections of the specifications referenced below and complies with all the applicable Essential Requirements of the EC Directives and amendments and the National Laws and Regulations adopting these Directives.

**Description:** Low Profile Clamp

**Model/s:** Part No. T58600 / T58601

**SWL:** 500Kg      **Factor:** 5:1

are in conformity with the provision of the following EC Directives:

MACHINERY DIRECTIVE 98/37/EC

**Harmonised Standards applied:**

EN 292-1-2:1991

BS EN ISO 9001:1994

**National Technical Standards & Specifications applied:**

BS 7905-1:2001

Signed:  Date:23-04-08

Name: Nigel Curtis      Position: Technical Director

Being the responsible person appointed by the manufacturer.



DEQ 083 Rev 4

Company Registration No. London 972614  
Registered Office: Crow Arch Lane, Ringwood, Hants, BH24 1NZ  
Directors: M.B.Lister. J.C.G. Chiverton. N.D. Curtis. S.C. Wright





**Doughty Engineering Ltd**

Crow Arch Lane

Ringwood, Hampshire, BH24 1NZ

Tel: +44 (0) 1425 478961 Fax: +44 (0) 1425 474481

email: [sales@doughty-engineering.co.uk](mailto:sales@doughty-engineering.co.uk)

Web: [www.doughty-engineering.co.uk](http://www.doughty-engineering.co.uk)

Note: Whilst every effort has been made to ensure that the information contained within this manual is correct, Doughty Engineering does not accept any liability for errors or omissions. Specifications and technical data are intended for guidance purposes only and may vary.